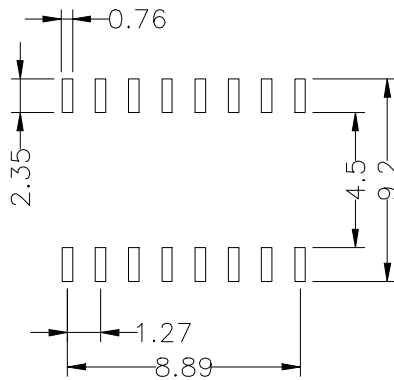


* RoHS COMPLIANT

ELECTRICAL CHARACTERISTICS :

1. DCR : PIN 1-4 = 220mΩ MAX. (PIN 2-3 SHORT)
 PIN 5-8 = 220mΩ MAX. (PIN 6-7 SHORT)
 PIN 9-10 = 220mΩ MAX. PIN 13-14 = 220mΩ
 PIN 11-12 = 120mΩ MAX. PIN 15-16 = 120mΩ
2. INDUCTANCE (@100kHz, 100mVrms)
 PIN 1-2 = PIN 3-4 = PIN 5-6 = PIN 7-8 = 23.0uH MIN.
 PIN 10-9 = PIN 14-13 = 93uH MIN.
 PIN 12-11 = PIN 16-15 = 10uH MIN.
3. TURN RATIO (@100kHz, 0.1Vrms)
 PIN 14-13 : 1-2 = 2.0 ±2% , PIN 10-9 : 5-6 = 2.0 ±2%
 PIN 14-13 : 3-4 = 2.0 ±2% , PIN 10-9 : 7-8 = 2.0 ±2%
 PIN 14-13 : 16-15 = 3.0 ±2% , PIN 10-9 : 12-11 = 3.0 ±2%
4. HI-POT (@1500VAC, 1mA, 2SEC)
 PIN 1.3.5.7 - PIN 10.12.14.16



SUGGESTED PAD LAYOUT

							TITLE PLC Coupling Transformer	
							DWG. NO. PL-062R	
RELEASE					UNITS:	SAFETY		SHEET 1 of 1
NO:	DESCRIPTION	DATE	BY	CHK	APPD	DATE	P/N:	
REVISIONS								